

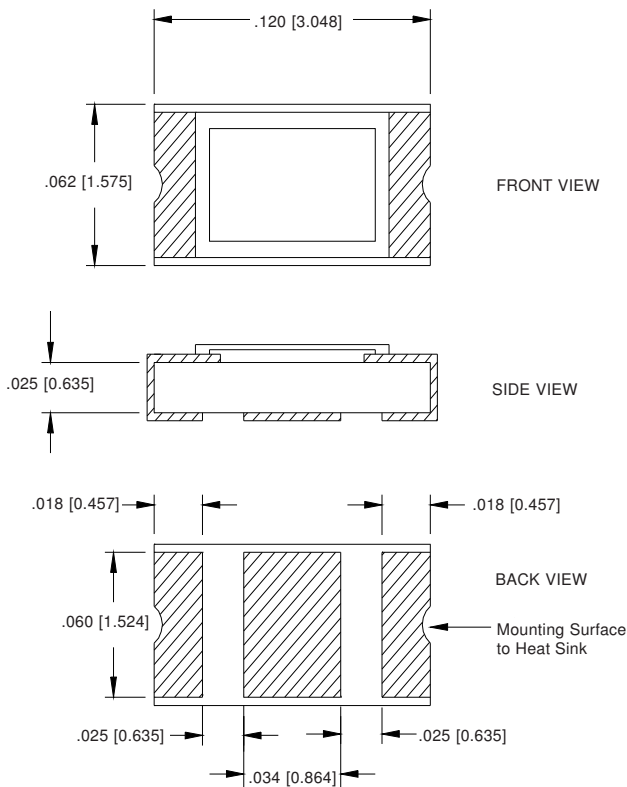
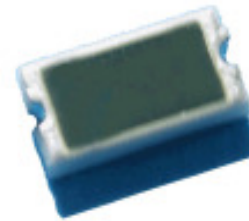
Aluminum Nitride SURFACE MOUNT RESISTOR

Features:

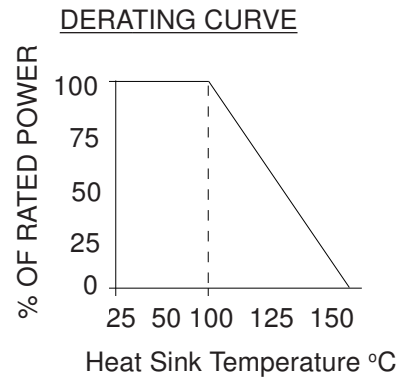
- ◆ **AlN Material**
- ◆ 10 Watt Input Power
- ◆ Surface Mountable
- ◆ CT = Matte Tin over Nickel over Silver

General Description:

The RYC1206CT-2000GN-2S is an Aluminum Nitride, 200 ohm, surface mountable high power chip resistor.



Dimensions in inches [mm]
 Tolerance +/- .010 [0.254]
 unless otherwise stated



Parameter	Min.	Typ.	Max.	Units
Input Power			10	Watts
Resistance	196	200	204	Ohms
Heat Sink Temperature			100 150 (0% Power)	°C

Barry Industries reserves the right to change part number and or process without notification.

Barry Industries, Inc., 60 Walton St., Attleboro, MA 02703 T: 508-226-3350 F: 508-226-3317 E-mail: ABSales@Vishay.com
 Barry Industries maintains an ISO 9001 Certified Quality Management System

Origination Date	Revision Date	Rev.
04/02/14	04/02/14	-